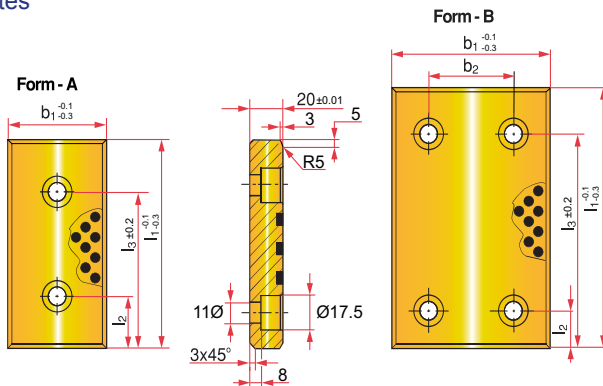


Wear plates, self-lubricating
Regletas autolubricantes

Mat. SAE430B+GR
Hardness > 180HB
Dureza > 180HB



Form	b ₁	b ₂	l ₁	l ₂	l ₃
A	28	-	75	15	45
			100	25	50
			150		100
			75	15	45
			100	25	50
			150		100
	38	-	200		150
			75	15	45
			100	25	50
			125		75
			150		100
			200		150
48	-	75	15	45	
		100	25	50	
		125		75	
		150		100	
		200		150	
		250		200	
58	-	75	15	45	
		100	25	50	
		150		100	
		75	15	45	
		100	25	50	
		125		75	
75	-	150		100	
		200		150	
		75	15	45	
		100	25	50	
		125		75	
		150		100	

Form	b ₁	b ₂	l ₁	l ₂	l ₃
B	100	50	100	25	50
			125		75
			150		100
			200		150
			250		200
			300		250
	125	-	350		250
			125		100
			150		150
			200		200
			250		250
			300		300
150	100	350		100	
		150		150	
		200		200	
		250		250	
		300		300	
		350		350	
200	150	350		150	
		200		200	
		250		250	
		300		300	
		350		350	
		300		300	

How to order: SW224/02-b1-l1 / Example: SW224/02-100-150
Forma de pedido: SW224/02-b1-l1 / Ejemplo: SW224/02-100-150