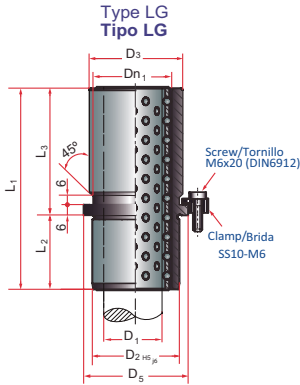
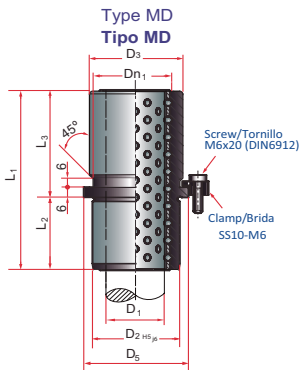


Steel guide bush ball cage  
Casquillo guía acero jaula bolas

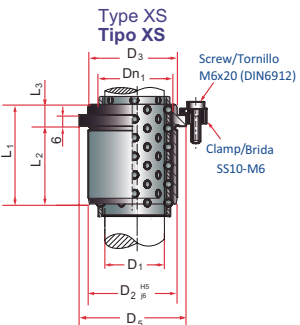
Mat. 16Mn Cr5 Cemented/ Hardness: 60±2 HRC  
Mat. 16Mn Cr5 Cementado / Dureza: 60±2 HRC



Tipo LG / Type LG							
D <sub>1</sub>	Dn <sub>1</sub>	D <sub>2</sub>	D <sub>3</sub>	D <sub>5</sub>	L <sub>1</sub>	L <sub>2</sub>	L <sub>3</sub>
19-20	25-26	32	39	40	59	23	36
24-25	30-31	40	46	48	79	23	56
30-32	38-40	48	53	56	93	30	63
38-40	46-48	58	63	66	108	37	71
48-50	56-58	70	77	80	127	47	80
60-63	68-71	85	92	95	150	60	90
80	92	105	115	118	150	60	90



Tipo MD / Type MD							
D <sub>1</sub>	Dn <sub>1</sub>	D <sub>2</sub>	D <sub>3</sub>	D <sub>5</sub>	L <sub>1</sub>	L <sub>2</sub>	L <sub>3</sub>
19-20	25-26	32	39	40	43	23	20
24-25	30-31	40	46	48	59	23	36
30-32	38-40	48	53	56	75	30	45
38-40	46-48	58	63	66	82	37	45
48-50	56-58	70	77	80	97	47	50
60-63	68-71	85	92	95	116	60	56
80	92	105	115	118	120	60	60

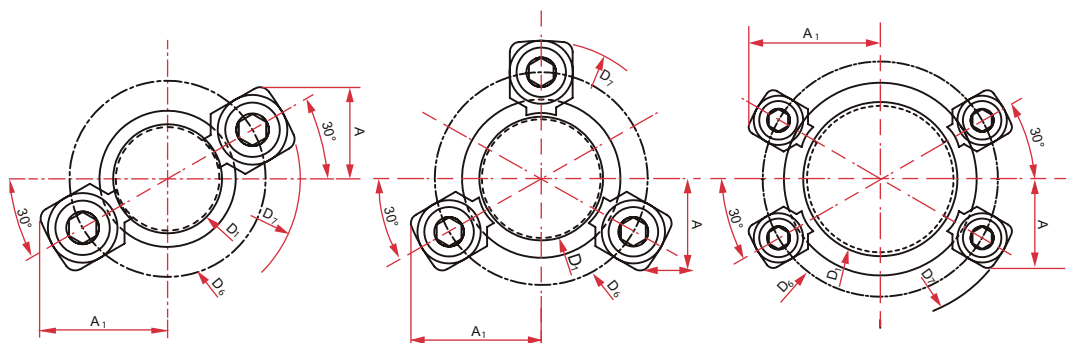


Tipo XS / Type XS							
D <sub>1</sub>	Dn <sub>1</sub>	D <sub>2</sub>	D <sub>3</sub>	D <sub>5</sub>	L <sub>1</sub>	L <sub>2</sub>	L <sub>3</sub>
19-20	25-26	32	39	40	35	23	12
24-25	30-31	40	46	48	35	23	12
30-32	38-40	48	53	56	42	30	12
38-40	46-48	58	63	66	52	37	15
48-50	56-58	70	77	80	65	47	18
60-63	68-71	85	92	95	80	60	20
80	92	105	115	118	80	60	20

# SB500/510/540/550

Mounting system for guide bush SB 500/510/540/550

Sistemas de montaje para casquillo guía SB500/510/540/550



Ø D1 19-20 mm = 2 screw clamp  
 Ø D1 24-32 mm = 3 screw clamp  
 Ø D1 from 38 mm = 4 screw clamp

Ø D1 19-20 mm = 2 bridas  
 Ø D1 24-32 mm = 3 bridas  
 Ø D1 a partir de 38 mm = 4 bridas

$D_1$	$D_6$	$D_7$	A	$A_1$
19-20	52	64,7	20,7	30
24-25	60	72,7	22,7	33,4
30-32	67	79,7	24,4	36,4
38-40	77	89,7	35,3	35,3
48-50	91	103,7	40,2	40,2
60-63	106	118,7	45,5	45,5
80	129	141,7	54,5	54,5