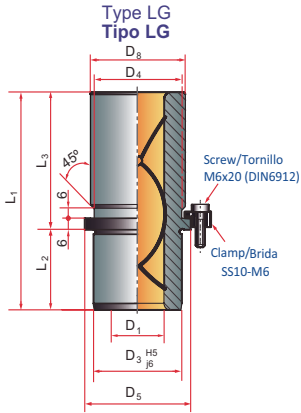
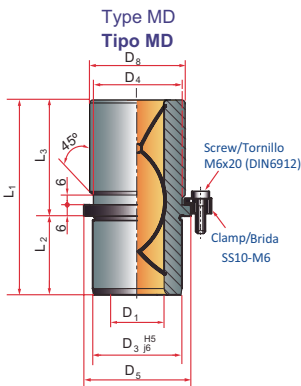


Steel guide bush / plated
Casquillo guía acero / bronce

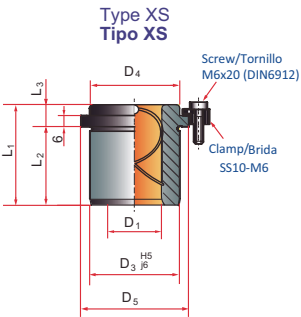
Mat. 1.050 3 - C45 / Bronze Hardness 80 Hb
Mat. 1.050 3 - C45 / Dureza Bronce 80 Hb



| Tipo LG / Type LG | | | | | | | |
|-------------------|----------------|----------------|----------------|----------------|----------------|----------------|----------------|
| D ₁ | D ₃ | D ₄ | D ₅ | D ₈ | L ₁ | L ₂ | L ₃ |
| 19-20 | 32 | 32 | 40 | 39 | 59 | 23 | 36 |
| 24-25 | 40 | 40 | 48 | 46 | 79 | 23 | 56 |
| 30-32 | 48 | 48 | 56 | 53 | 93 | 30 | 63 |
| 38-40 | 58 | 58 | 66 | 63 | 108 | 37 | 71 |
| 48-50 | 70 | 70 | 80 | 77 | 127 | 47 | 80 |
| 60-63 | 85 | 85 | 95 | 92 | 150 | 60 | 90 |
| 80 | 105 | 105 | 118 | 115 | 150 | 60 | 90 |



| Tipo MD / Type MD | | | | | | | |
|-------------------|----------------|----------------|----------------|----------------|----------------|----------------|----------------|
| D ₁ | D ₃ | D ₄ | D ₅ | D ₈ | L ₁ | L ₂ | L ₃ |
| 19-20 | 32 | 32 | 40 | 39 | 43 | 23 | 20 |
| 24-25 | 40 | 40 | 48 | 46 | 59 | 23 | 36 |
| 30-32 | 48 | 48 | 56 | 53 | 75 | 30 | 45 |
| 38-40 | 58 | 58 | 66 | 63 | 82 | 37 | 45 |
| 48-50 | 70 | 70 | 80 | 77 | 97 | 47 | 50 |
| 60-63 | 85 | 85 | 95 | 92 | 116 | 60 | 56 |
| 80 | 105 | 105 | 118 | 115 | 120 | 60 | 60 |

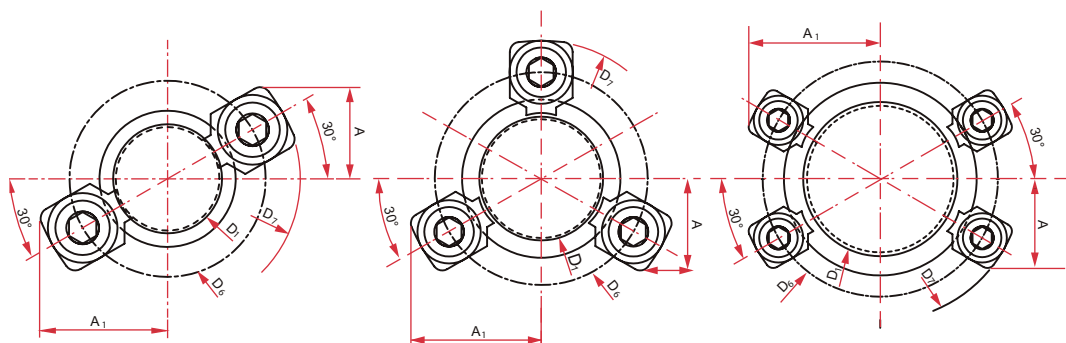


| Tipo XS / Type XS | | | | | | | |
|-------------------|----------------|----------------|----------------|----------------|----------------|----------------|--|
| D ₁ | D ₃ | D ₄ | D ₅ | L ₁ | L ₂ | L ₃ | |
| 19-20 | 32 | 32 | 40 | 35 | 23 | 12 | |
| 24-25 | 40 | 40 | 48 | 35 | 23 | 12 | |
| 30-32 | 48 | 48 | 56 | 42 | 30 | 12 | |
| 38-40 | 58 | 58 | 66 | 52 | 37 | 15 | |
| 48-50 | 70 | 70 | 80 | 65 | 47 | 18 | |
| 60-63 | 85 | 85 | 95 | 80 | 60 | 20 | |
| 80 | 105 | 105 | 118 | 80 | 60 | 20 | |

SB500/510/540/550

Mounting system for guide bush SB 500/510/540/550

Sistemas de montaje para casquillo guía SB500/510/540/550



Ø D1 19-20 mm = 2 screw clamp
 Ø D1 24-32 mm = 3 screw clamp
 Ø D1 from 38 mm = 4 screw clamp

Ø D1 19-20 mm = 2 bridas
 Ø D1 24-32 mm = 3 bridas
 Ø D1 a partir de 38 mm = 4 bridas

| D_1 | D_6 | D_7 | A | A_1 |
|-------|-------|-------|------|-------|
| 19-20 | 52 | 64,7 | 20,7 | 30 |
| 24-25 | 60 | 72,7 | 22,7 | 33,4 |
| 30-32 | 67 | 79,7 | 24,4 | 36,4 |
| 38-40 | 77 | 89,7 | 35,3 | 35,3 |
| 48-50 | 91 | 103,7 | 40,2 | 40,2 |
| 60-63 | 106 | 118,7 | 45,5 | 45,5 |
| 80 | 129 | 141,7 | 54,5 | 54,5 |