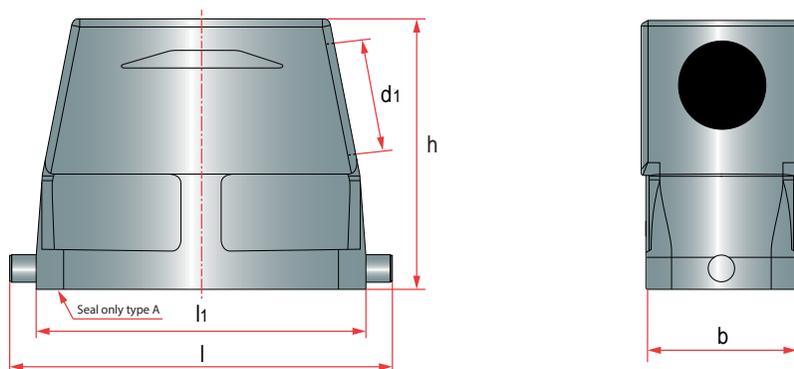


BR2734

Sleeve housing for single locking lacht
 Capota de enchufe con sujeción simple



Mat. Die-cast aluminium. Maximum temperature at work: 125° C.

b	l	h	l1	d1	polos	tipo	DESC.
29,5	72	67,2	63	M25X1,5	10	A	BR2734/10A
	88,5	70	79,5		16		BR2734/16A
43	90,5	72	73	PG21	10	B	BR2734/10B
	111,5	76	93,5		16		BR2734/16B
	138		120		PG29		24

Type of connector BR2711, 2712