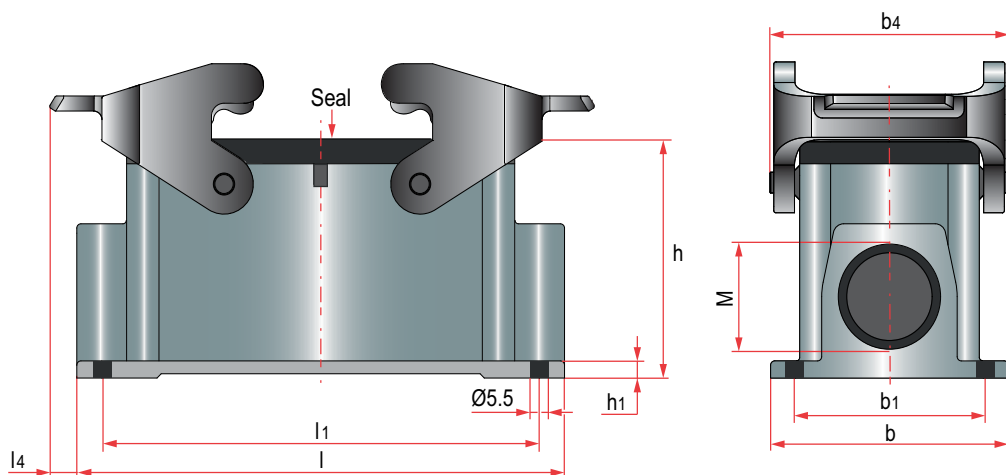


BR2722

Socket housing with double locking lacht
Caja de enchufe con doble conexión



Mat. Powder coated die-cast aluminium. Maximum temperature at work: 125° C.

l	b	l1	b1	h1	l4	b4	M	h	polos	tipo	DESCRIPCION
94	52	82	40	4	12	56	1x M20x1.5	54	10	B	BR2722/10B
117	57	105	45				1x M25x1.5	56	16		BR2722/16B
144		132							24		BR2722/24B

Type of connector BR2711, 2712

