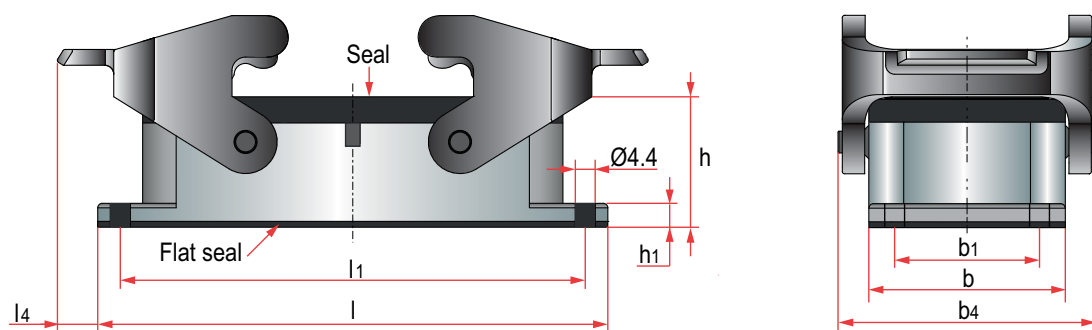


BR2721

Connector housing with double locking latch
Caja de enchufe con doble sujeción



Mat. Powder coated die-cast aluminium. Maximum temperature at work: 125° C.

l	b	h	l1	b1	h1	l3	b3	l4	b4	polos	tipo	DESCRIPCION
93	43	29	83	32	5	60	35	13	57	10	B	BR2721/10B
116			103			82				16		BR2721/16B
140			130			108				24		BR2721/24B

Type of connector BR2711, 2712

