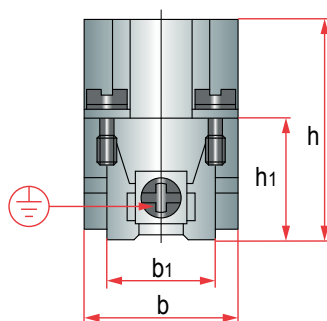
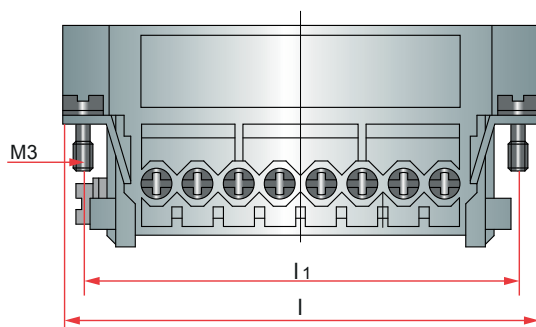


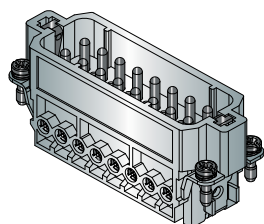
BR2712



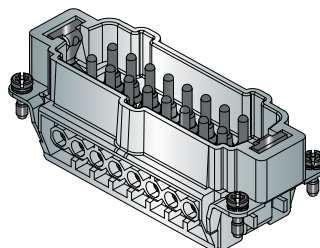
Male insert whit threaded connection
Conector macho



Type A



Type B



Mat. Polycarbonate. Maximum temperature at work: 125° C.

l	b	h	l1	b1	h1	polos	tipo	DESCRIPCION
21	21	27	-	-	-	3	A	BR2712/03A
		28	-	-	-	4		BR2712/04A
56	23	33	49,5	16	18,4	10		BR2712/10A
72,4			66			16	BR2712/16A	
64	34	33	57	27	18	10	B	BR2712/10B
84,5			77,5			16		BR2712/16B
111			104			24		BR2712/24B

Poles	Type	Rated voltage	Rated current
3 - 4	A	230V	10A
10 - 16		250V	16A
10 - 24	B	500V	