

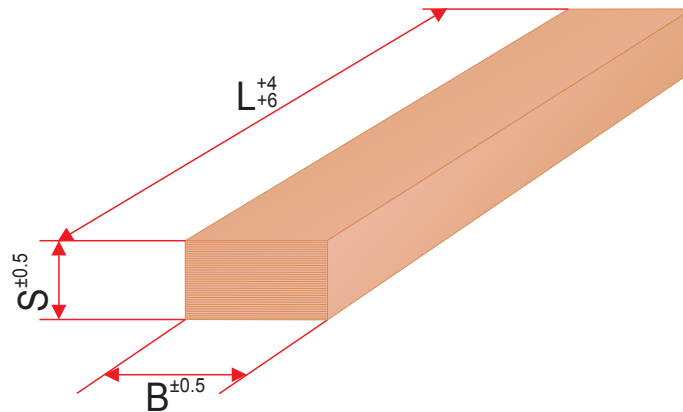
# BR2113



Copper  
Cobre  
Miedź  
Cobre  
Cuivre



Minimum electrical conductivity of 57 M/Ohms x mm<sup>2</sup>, in an annealed condition. No requirement for weldability.  
Conductividad eléctrica mínima de 57 M/Ohms x mm<sup>2</sup>, en estado recocido. Ningún requisito de soldabilidad.

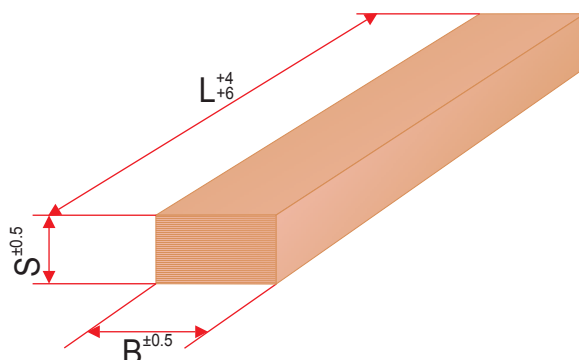


Mat. : Cu 99,9 Min. DIN E-Cu 57 2,0060. ISO CU-ETP.

S	B	L			REF.
		100	300	500	
0,5	100	*	*	*	BR2113/ 0,5 x 100 x ...
	200	*	*	*	BR2113/ 0,5 x 200 x ...
1	100	*	*	*	BR2113/ 1,0 x 100 x ...
	200	*	*	*	BR2113/ 1,0 x 200 x ...
1,5	100	*	*	*	BR2113/ 1,5 x 100 x ...
	200	*	*	*	BR2113/ 1,5 x 200 x ...
2	100	*	*	*	BR2113/ 2,0 x 100 x ...
	200	*	*	*	BR2113/ 2,0 x 200 x ...
2,5	100	*	*	*	BR2113/ 2,5 x 100 x ...
	200	*	*	*	BR2113/ 2,5 x 200 x ...
3	20	*	*	*	BR2113/ 3,0 x 20 x ...
	50	*	*	*	BR2113/ 3,0 x 50 x ...
	100	*	*	*	BR2113/ 3,0 x 100 x ...
	200	*	*	*	BR2113/ 3,0 x 200 x ...
4	80	*	*	*	BR2113/ 4,0 x 80 x ...
	100	*	*	*	BR2113/ 4,0 x 100 x ...
	200	*	*	*	BR2113/ 4,0 x 200 x ...
5	15	*	*	*	BR2113/ 5,0 x 15 x ...
	20	*	*	*	BR2113/ 5,0 x 20 x ...
	25	*	*	*	BR2113/ 5,0 x 25 x ...
	30	*	*	*	BR2113/ 5,0 x 30 x ...
	40	*	*	*	BR2113/ 5,0 x 40 x ...
	50	*	*	*	BR2113/ 5,0 x 50 x ...
	60	*	*	*	BR2113/ 5,0 x 60 x ...
	70	*	*	*	BR2113/ 5,0 x 70 x ...
80	*	*	*	BR2113/ 5,0 x 80 x ...	

S	B	L			REF.
		100	300	500	
5	100	*	*	*	BR2113/ 5,0 x 100 x ...
	200	*	*	*	BR2113/ 5,0 x 200 x ...
6	30	*	*	*	BR2113/ 6,0 x 30 x ...
	40	*	*	*	BR2113/ 6,0 x 40 x ...
	60	*	*	*	BR2113/ 6,0 x 60 x ...
	100	*	*	*	BR2113/ 6,0 x 100 x ...
8	25	*	*	*	BR2113/ 8,0 x 25 x ...
	30	*	*	*	BR2113/ 8,0 x 30 x ...
	40	*	*	*	BR2113/ 8,0 x 40 x ...
	50	*	*	*	BR2113/ 8,0 x 50 x ...
	60	*	*	*	BR2113/ 8,0 x 60 x ...
	100	*	*	*	BR2113/ 8,0 x 100 x ...
10	20	*	*	*	BR2113/ 10,0 x 20 x ...
	25	*	*	*	BR2113/ 10,0 x 25 x ...
	30	*	*	*	BR2113/ 10,0 x 30 x ...
	40	*	*	*	BR2113/ 10,0 x 40 x ...
	50	*	*	*	BR2113/ 10,0 x 50 x ...
	60	*	*	*	BR2113/ 10,0 x 60 x ...
	70	*	*	*	BR2113/ 10,0 x 70 x ...
	80	*	*	*	BR2113/ 10,0 x 80 x ...
	100	*	*	*	BR2113/ 10,0 x 100 x ...
	200	*	*	*	BR2113/ 10,0 x 200 x ...

# BR2113



S	B	L			REF.
		100	300	500	
15	20	*	*	*	BR2113/ 15,0 x 20 x ...
	30	*	*	*	BR2113/ 15,0 x 30 x ...
	40	*	*	*	BR2113/ 15,0 x 40 x ...
	50	*	*	*	BR2113/ 15,0 x 50 x ...
	60	*	*	*	BR2113/ 15,0 x 60 x ...
	80	*	*	*	BR2113/ 15,0 x 80 x ...
	100	*	*	*	BR2113/ 15,0 x 100 x ...
	150	*	*	*	BR2113/ 15,0 x 150 x ...
	200	*	*	*	BR2113/ 15,0 x 200 x ...
20	40	*	*	*	BR2113/ 20,0 x 40 x ...
	50	*	*	*	BR2113/ 20,0 x 50 x ...
	60	*	*	*	BR2113/ 20,0 x 60 x ...
	80	*	*	*	BR2113/ 20,0 x 80 x ...
	100	*	*	*	BR2113/ 20,0 x 100 x ...
	150	*	*	*	BR2113/ 20,0 x 150 x ...
25	50	*	*	*	BR2113/ 25,0 x 50 x ...

S	B	L			REF.
		100	300	500	
25	100	*	*	*	BR2113/ 25,0 x 100 x ...
	150	*	*	*	BR2113/ 25,0 x 150 x ...
	200	*	*	*	BR2113/ 25,0 x 200 x ...
30	60	*	*	*	BR2113/ 30,0 x 60 x ...
	100	*	*	*	BR2113/ 30,0 x 100 x ...
	150	*	*	*	BR2113/ 30,0 x 150 x ...
	200	*	*	*	BR2113/ 30,0 x 200 x ...
40	100	*	*	*	BR2113/ 40,0 x 100 x ...
	150	*	*	*	BR2113/ 40,0 x 150 x ...
	200	*	*	*	BR2113/ 40,0 x 200 x ...
50	100	*	*	*	BR2113/ 50,0 x 100 x ...
	150	*	*	*	BR2113/ 50,0 x 150 x ...
	200	*	*	*	BR2113/ 50,0 x 200 x ...
60	100	*	*	*	BR2113/ 60,0 x 100 x ...
	200	*	*	*	BR2113/ 60,0 x 200 x ...
70	100	*	*	*	BR2113/ 70,0 x 100 x ...
	200	*	*	*	BR2113/ 70,0 x 200 x ...