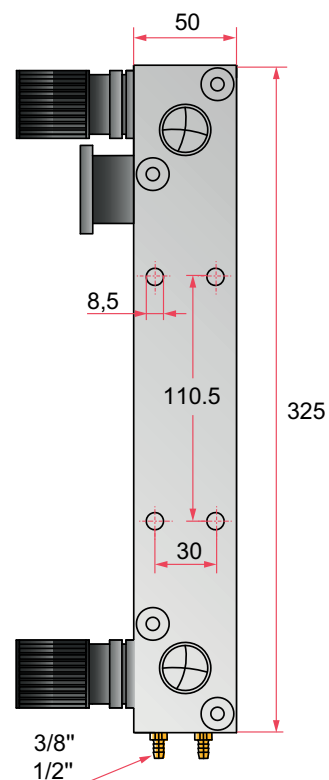
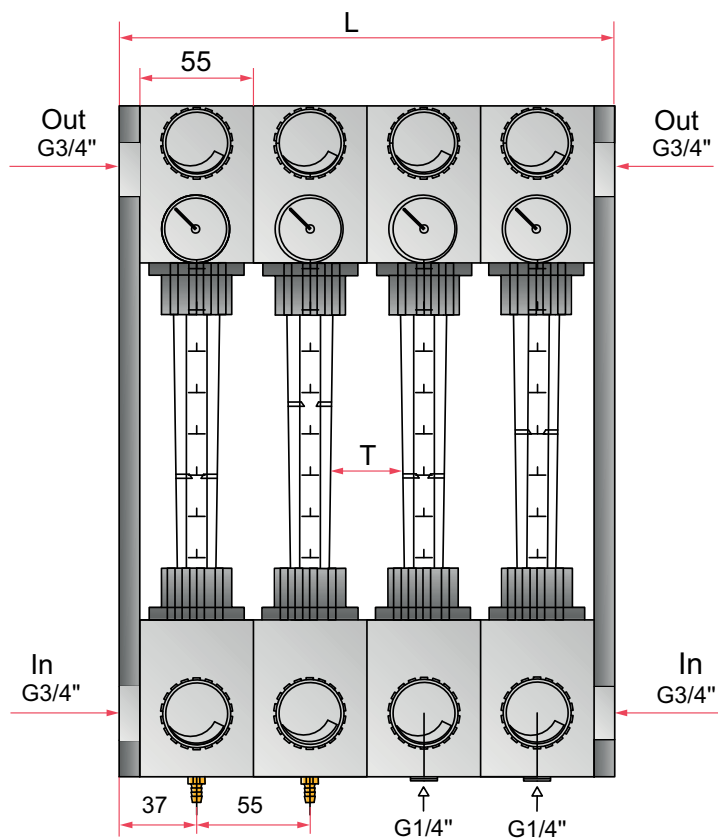


BR1917



Flowmeter
Regulador de caudal
Przepływomierz



Temperature range: -20°C +90°C - Flow capacity: up to 12 l/Min.
Rango de temperatura: -20°C +90°C - Caudal max.: 12 l/Min.

T	L	REF.
1	85	BR1917-1
2	140	BR1917-2
3	195	BR1917-3
4	250	BR1917-4
5	305	BR1917-5
6	360	BR1917-6
7	415	BR1917-7
8	470	BR1917-8
9	525	BR1917-9
10	580	BR1917-10
11	635	BR1917-11
12	690	BR1917-12

