

SSV / SSE SERIES

VALVULADO UNITARIO COMPACTO / COMPACT SINGLE VALVE NOZZLE

Inyección unitaria con resultados de alta calidad y óptimo acabado superficial
Single injection nozzle injection with highest quality results and optimal surface finishing

Características / Main features

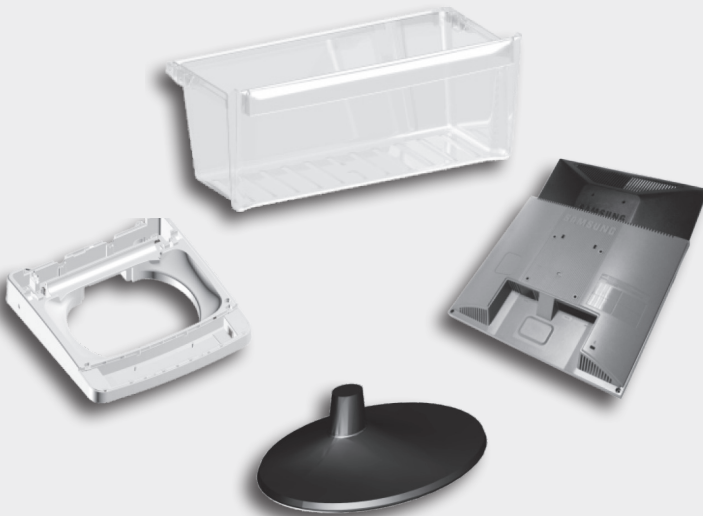
- ▶ Inyectores valvulados / Valve nozzle
- ▶ Accionamiento neumático / Pneumatic drive
- ▶ Inyección directa o canal / Direct tips and sprue bushes options
- ▶ Capacidad hasta 1200 g (según proyecto) / Injection volume over 1200gr
- ▶ Recomendada para procesar materiales commodities / Recommended for commodity and engineering plastics

Soluciones / Main solutions

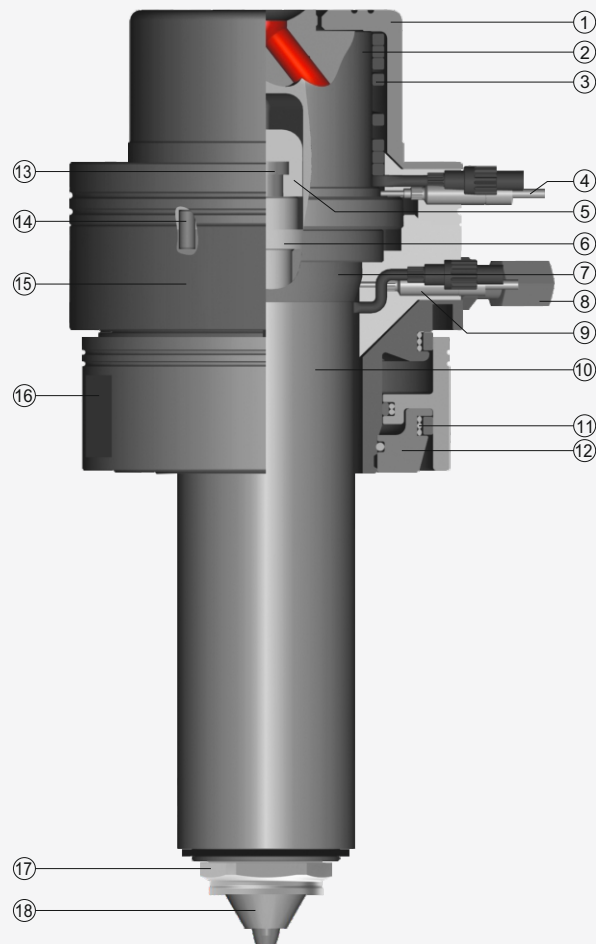
- ▶ Fácil instalación y mantenimiento / Easy installation and maintenance
- ▶ Recomendada para piezas de tamaño medio-grande / Medium and large size parts
- ▶ Optimiza las propiedades de inyección y mejora el acabado de la pieza / Recommended for parts with good aesthetic finish
- ▶ Disponible para proyectos con inyección invertida (**ver serie SSE**) / Available for injection by ejection side (SSE)

SSV

SSE

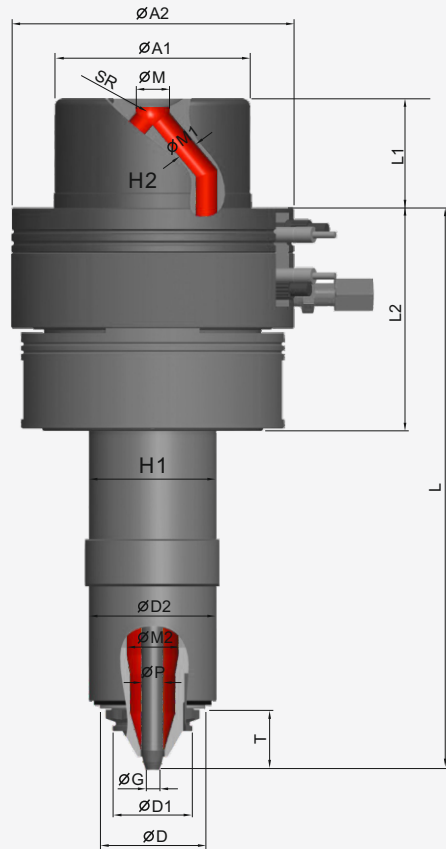


SSV Single Valve Introduction

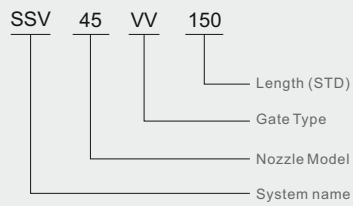


- | | |
|--------------------|-------------------|
| ① TOP COVER | ⑪ O-RING |
| ② HEAD BODY | ⑫ CYLINDER BOTTOM |
| ③ HEAD BODY HEATER | ⑬ VALVE PIN |
| ④ THERMOCOUPLE | ⑭ LOCK PIN |
| ⑤ PISTON IN | ⑮ HOUSING |
| ⑥ PIN GUIDE BUSH | ⑯ PISTON OUT |
| ⑦ NOZZLE BODY | ⑰ UNION |
| ⑧ AIR NIPPLE | ⑱ TIP |
| ⑨ THERMOCOUPLE | |
| ⑩ HEATER | |

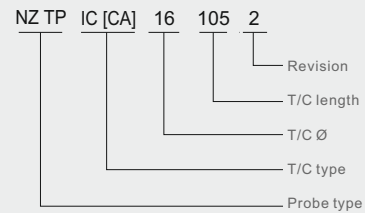
SSV Single Valve Introduction



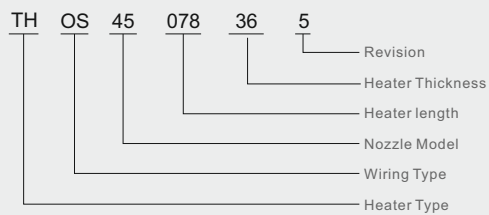
How to read Nozzle Model



How to read Thermocouple Code



How to read Heater Code

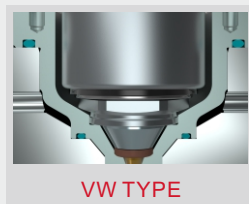
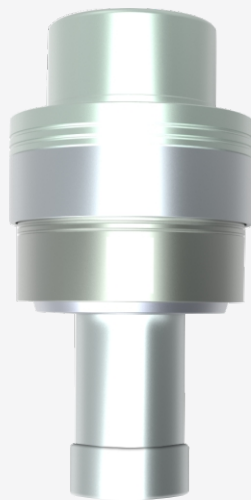


SSV Single Valve Introduction

Division	SSV18	SSV25	SSV35	SSV45
Model Number	SSV 18-□□-□□□□	SSV 25-□□-□□□□	SSV 35-□□-□□□□	SSV 45-□□-□□□□
Injection Volume	UP to 100gr	UP to 350gr	UP to 800gr	Over 2100gr
SR	Ask us	Ask us	Ask us	Ask us
∅A1	68	68	84	84
∅A2	105	105	120	120
L	125~215	130~270	140~300	150~310
L1	37~127	42~182	55~205	55~215
L2	88	88	95	95
T	11	16	21	26
∅M	8	8	14	14
∅M1	5.5	5.5	9	9
∅M2	8	10	12	22
∅P	4	4	6	10
∅G	1.5/2.0/2.5	1.5/2.0/2.5	2.5/3.0/4.0	4.0/5.0/6.0/7.0
∅D	18.15	25.15	35.15	45.15
∅D1	13	18	26	34
∅D2	27.2	34.2	44.2	54.2
Tube Heater(H1)	TH OS 18□□□6□36 5	TH OS 25□□□4□36 5	TH OS 35□□□5□36 5	TH OS 45□□□8□36 5
Thermocouple	NZ TP□□ 16 □□ 5 R	NZ TP□□ 16 □□ 5 2	NZ TP□□ 16 □□ 5 2	NZ TP□□ 16 □□ 5 2

SSV Single Valve Introduction

GATING TYPE



VW TYPE



VG TYPE



VE TYPE



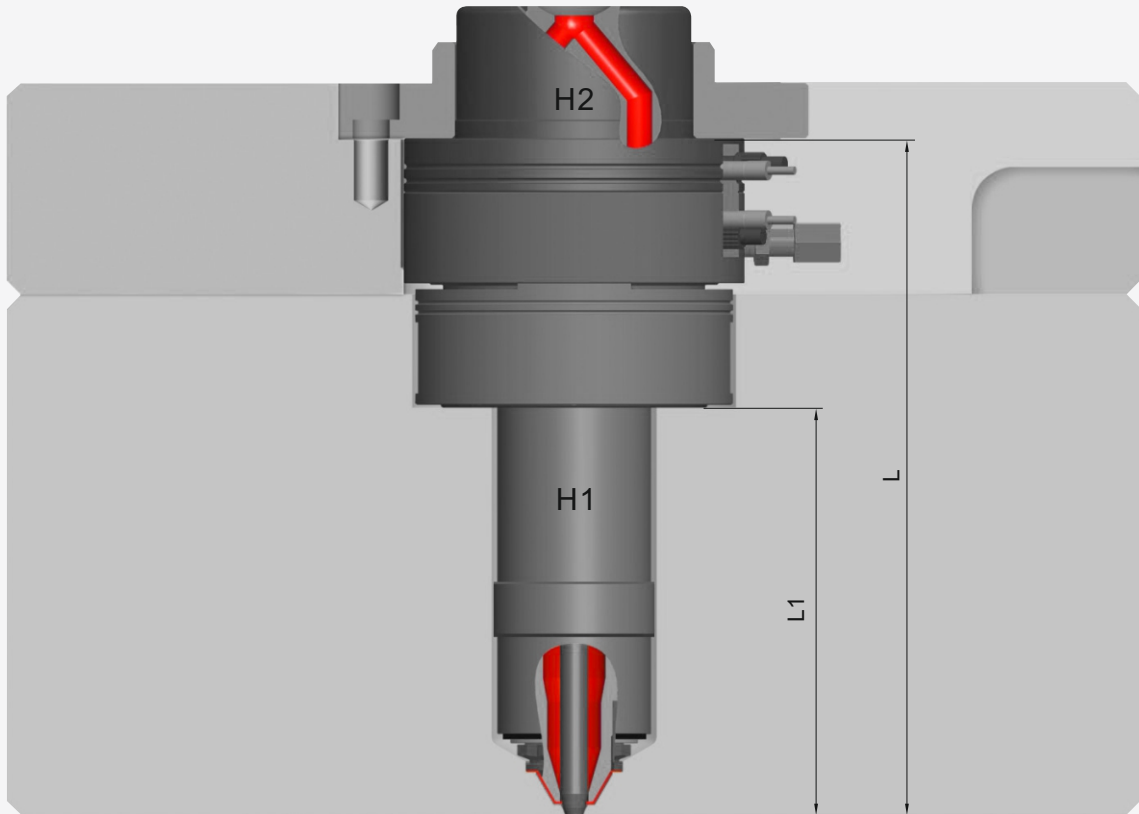
VV TYPE



VL TYPE

SSV Single Valve Introduction

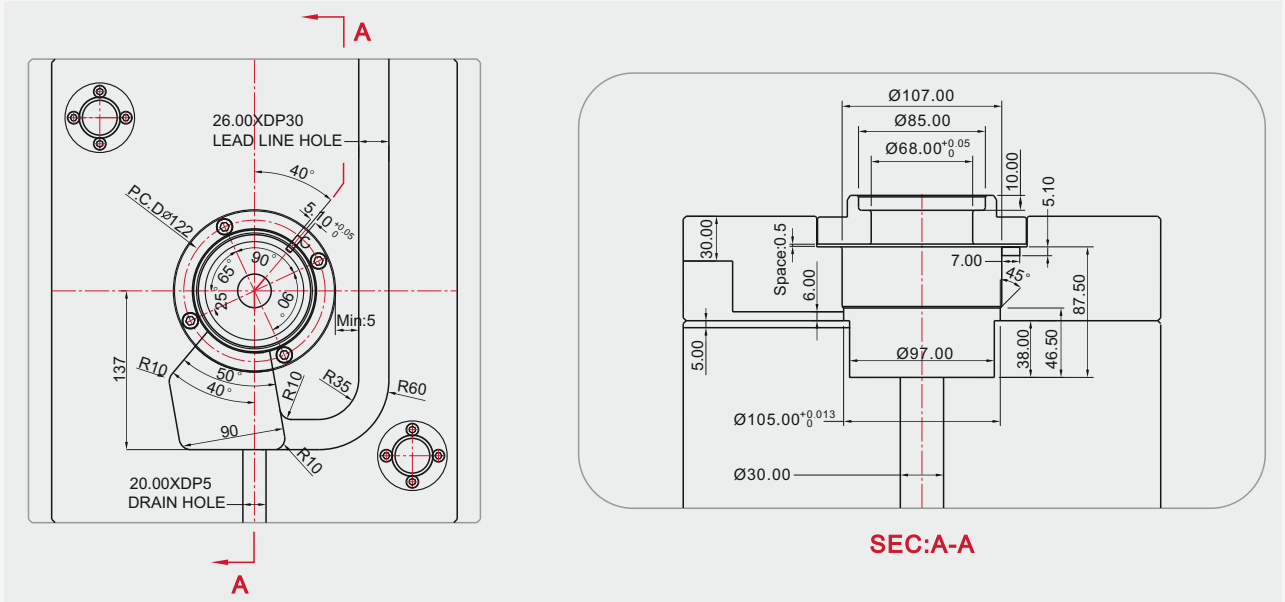
SSV 18 VALVE



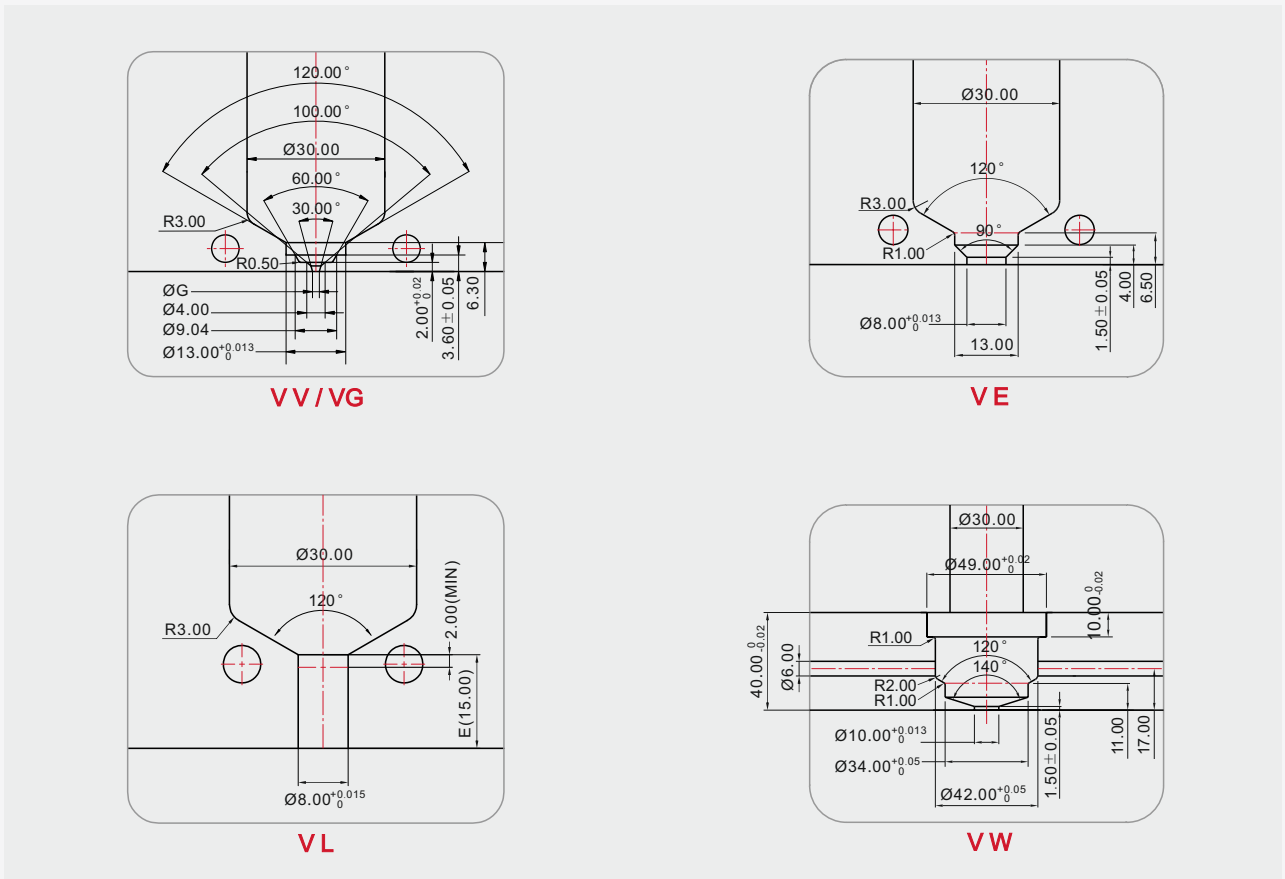
MODEL	L	L1	HEATER (H1)	T/C (H1)	HEATER (H2)	T/C (H2)
SSV18□□ 125	125	37	THOS 18 066 36 5	NZ TP IC [CA] 16 085 R		
SSV18□□ 135	135	47	THOS 18 076 36 5			
SSV18□□ 145	145	57	THOS 18 086 36 5	NZ TP IC [CA] 16 105 R		
SSV18□□ 155	155	67	THOS 18 096 36 5			
SSV18□□ 165	165	77	THOS 18 106 36 5	NZ TP IC [CA] 16 125 R	THOS 45 035 36 5	NZ TP IC [CA] 16 085 R
SSV18□□ 175	175	87	THOS 18 116 36 5			
SSV18□□ 185	185	97	THOS 18 126 36 5	NZ TP IC [CA] 16 145 R		
SSV18□□ 195	195	107	THOS 18 136 36 5			
SSV18□□ 205	205	117	THOS 18 146 36 5	NZ TP IC [CA] 16 165 R		
SSV18□□ 215	215	127	THOS 18 156 36 5			

SSV Single Valve Introduction

FLANGE PROCESS AREA

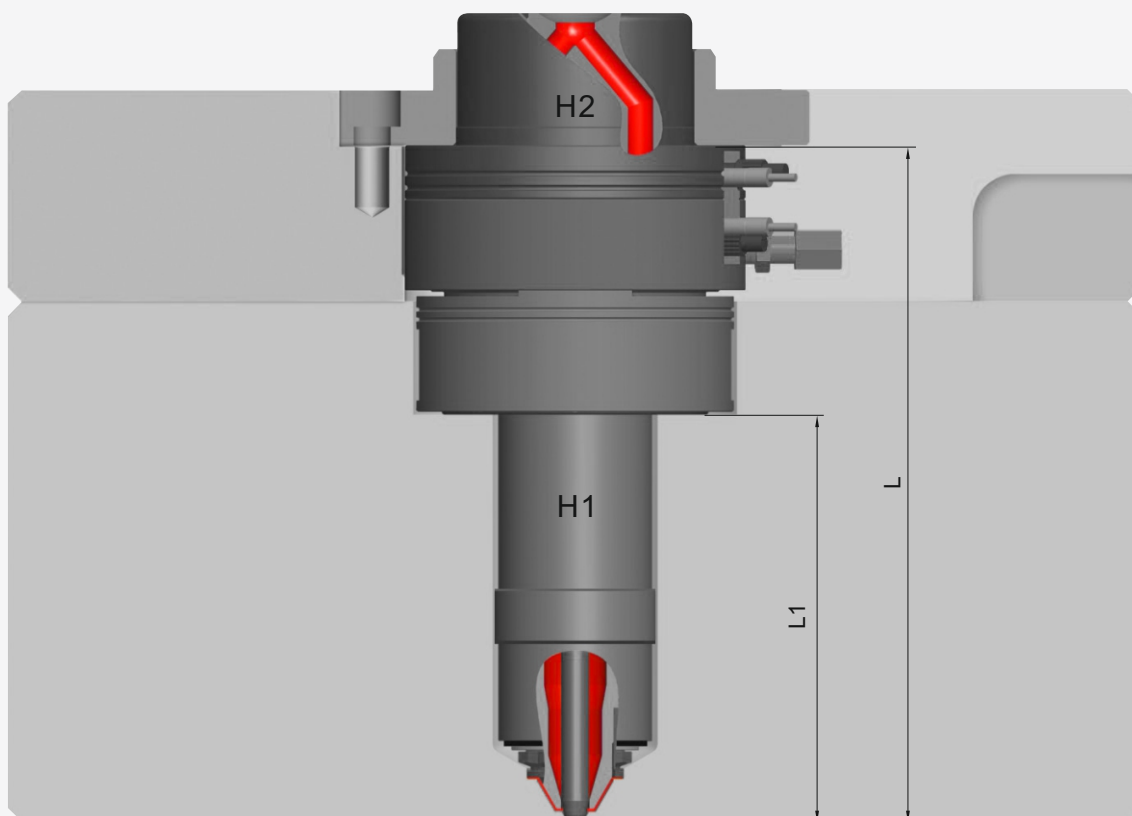


GATE PROCESS AREA



SSV Single Valve Introduction

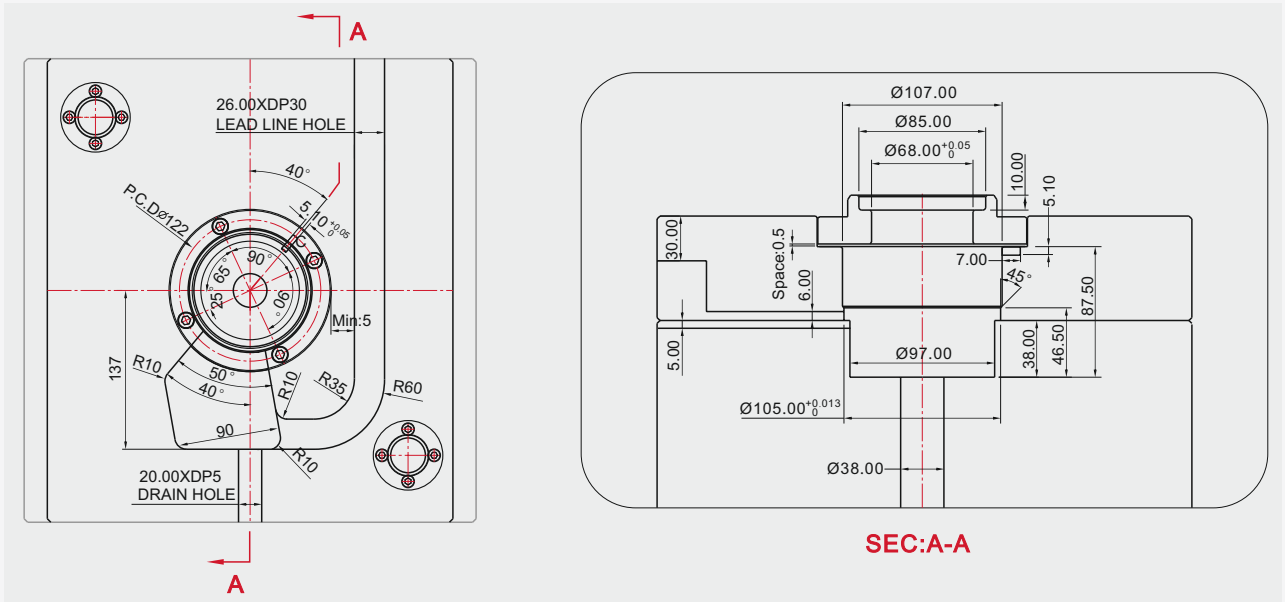
SSV 25 VALVE



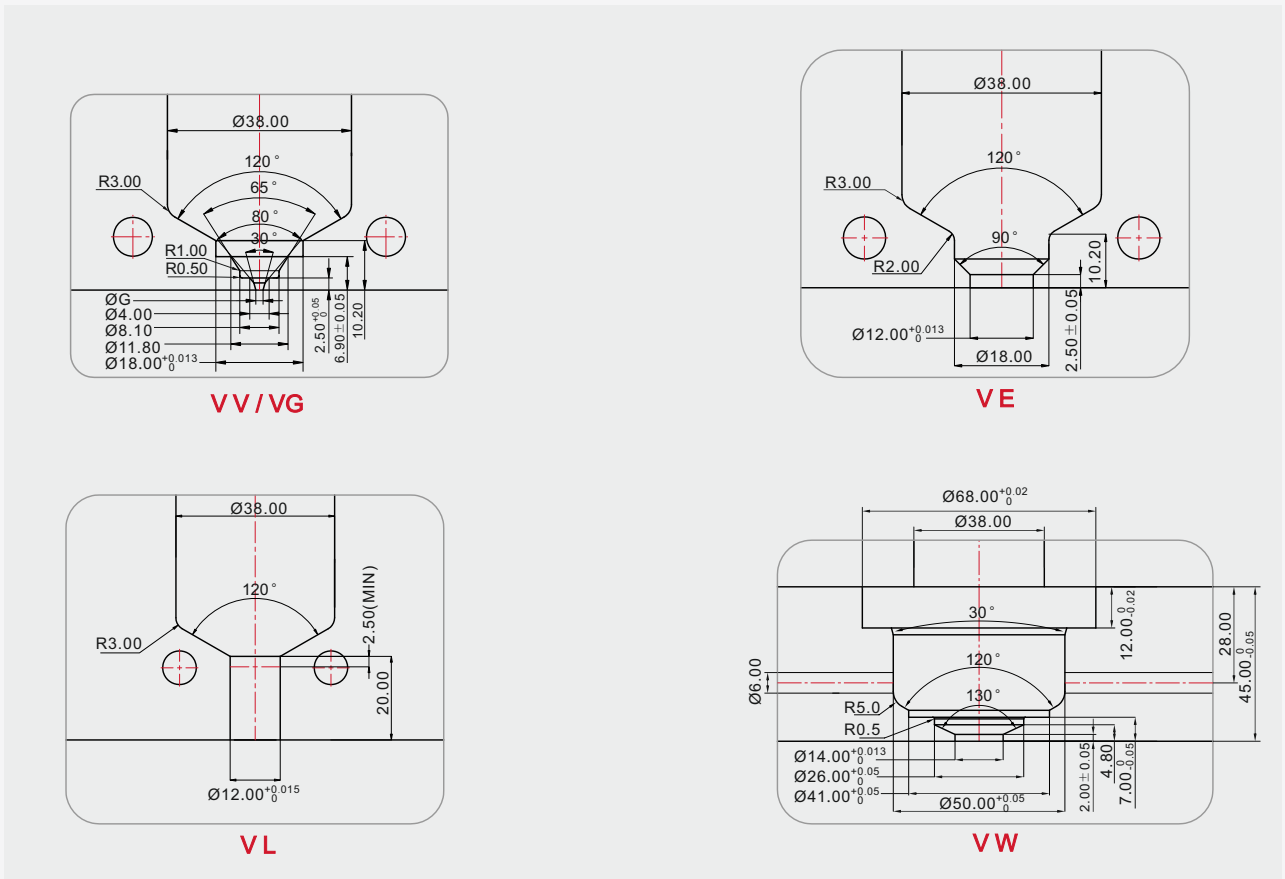
MODEL	L	L1	HEATER (H1)	T/C (H1)	HEATER (H2)	T/C (H2)
SSV25 □□ 130	130	42	THOS 25 074 36 5	NZ TP IC [CA] 16 105 2		
SSV25 □□ 140	140	52	THOS 25 084 36 5			
SSV25 □□ 150	150	62	THOS 25 094 36 5	NZ TP IC [CA] 16 125 2		
SSV25 □□ 160	160	72	THOS 25 104 36 5			
SSV25 □□ 170	170	82	THOS 25 114 36 5	NZ TP IC [CA] 16 145 2		
SSV25 □□ 180	180	92	THOS 25 124 36 5		THOS 45 035 36 5	NZ TP IC [CA] 16 085 2
SSV25 □□ 190	190	102	THOS 25 134 36 5	NZ TP IC [CA] 16 165 2		
SSV25 □□ 200	200	112	THOS 25 144 36 5			
SSV25 □□ 210	210	122	THOS 25 154 36 5	NZ TP IC [CA] 16 185 2		
∫	∫	∫	∫	∫		
SSV25 □□ 270	270	182	THOS 25 214 36 5	NZ TP IC [CA] 16 245 2		

SSV Single Valve Introduction

FLANGE PROCESS AREA

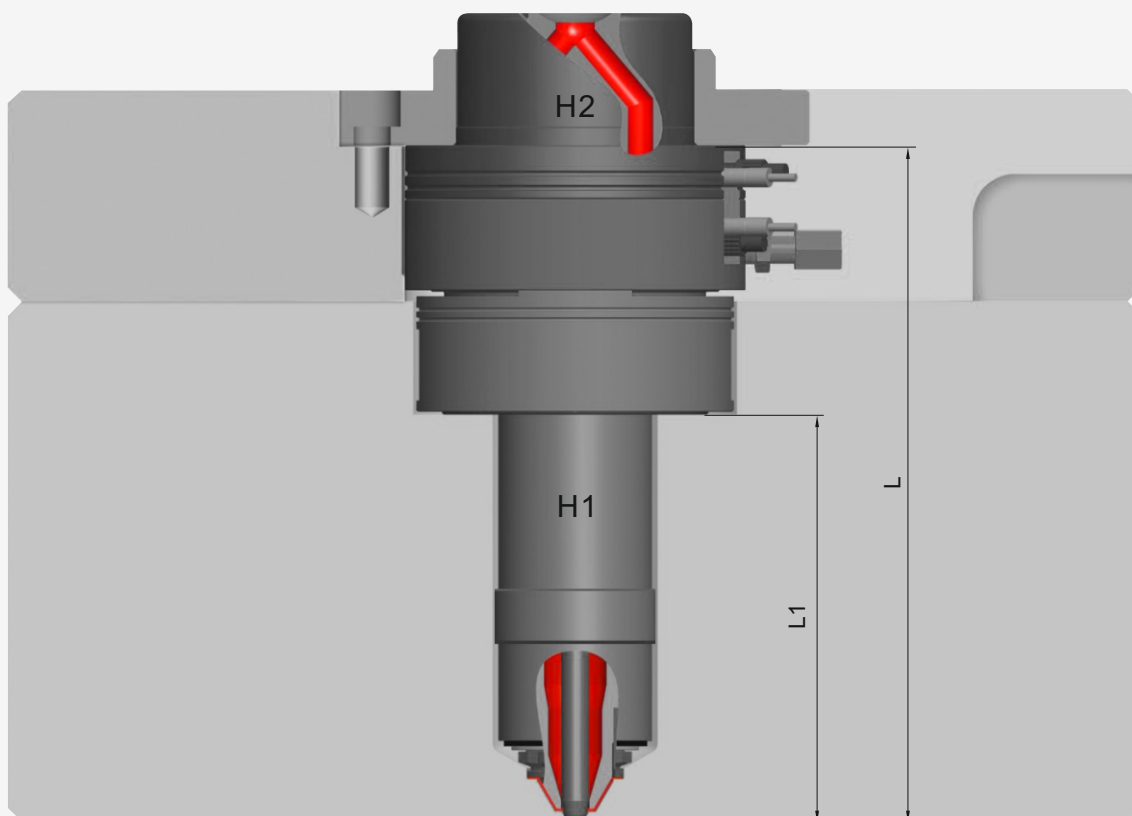


GATE PROCESS AREA



SSV Single Valve Introduction

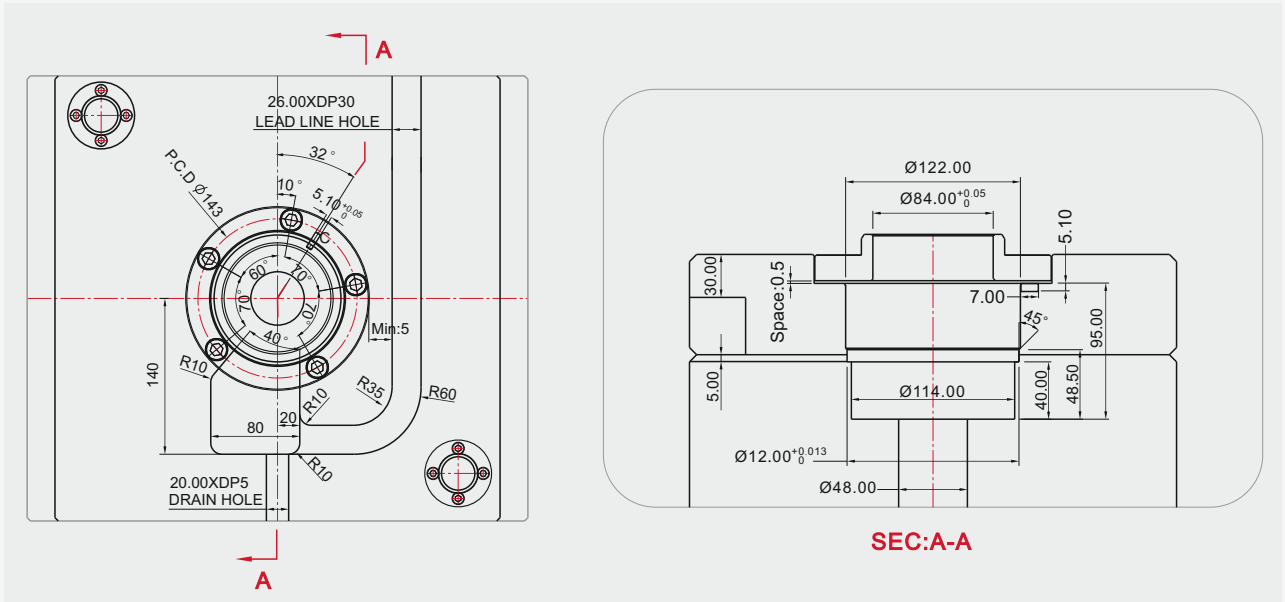
SSV 35 VALVE



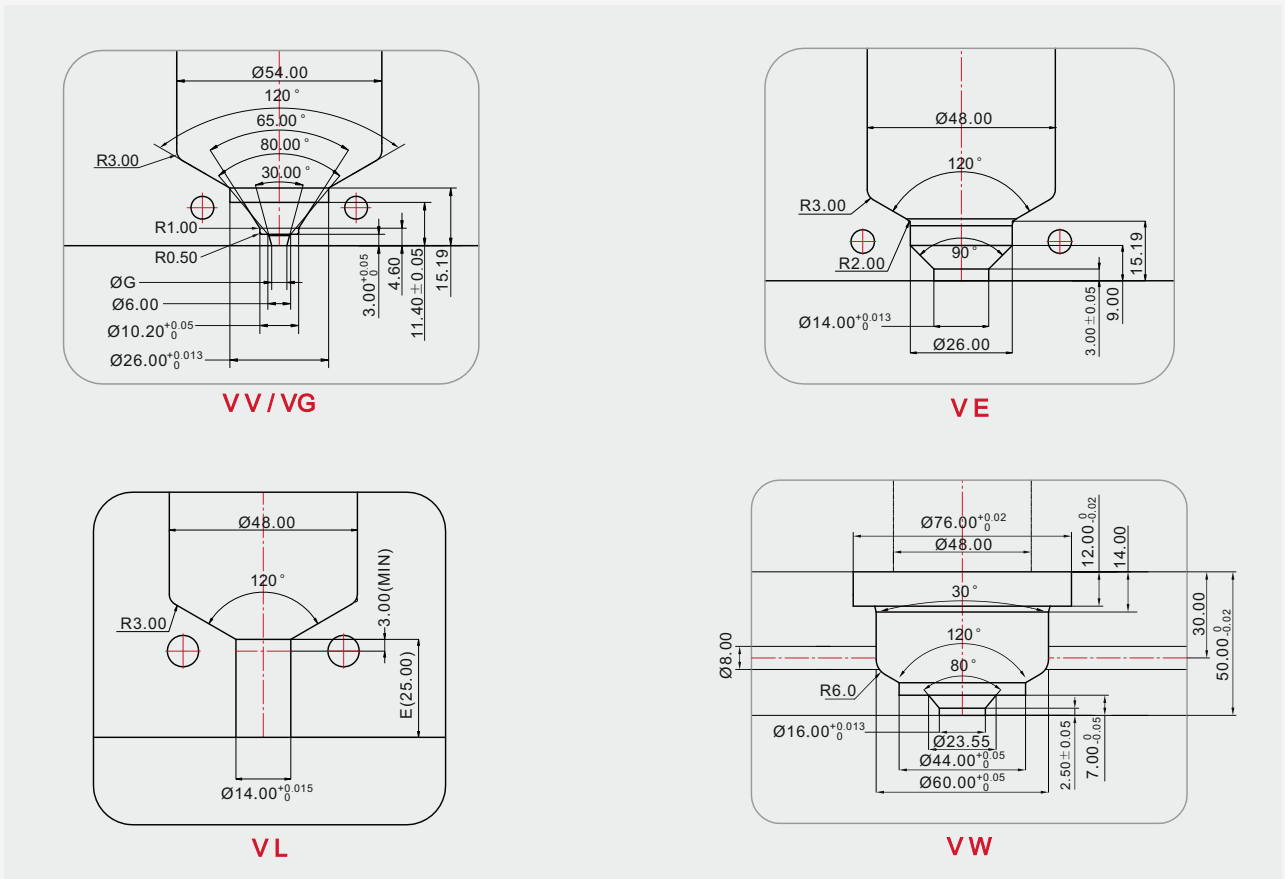
MODEL	L	L1	HEATER (H1)	T/C (H1)	HEATER (H2)	T/C (H2)
SSV35□□ 140	140	45	THOS 35 065 36 5	NZ TP IC [CA] 16 085 2		
SSV35□□ 150	150	55	THOS 35 075 36 5			
SSV35□□ 160	160	65	THOS 35 085 36 5	NZ TP IC [CA] 16 105 2		
SSV35□□ 170	170	75	THOS 35 095 36 5			
SSV35□□ 180	180	85	THOS 35 105 36 5	NZ TP IC [CA] 16 125 2		
SSV35□□ 190	190	95	THOS 35 115 36 5		THOS 65 045 36 5	NZ TP IC [CA] 16 085 2
SSV35□□ 200	200	105	THOS 35 125 36 5	NZ TP IC [CA] 16 145 2		
SSV35□□ 210	210	115	THOS 35 135 36 5			
SSV35□□ 220	220	125	THOS 35 145 36 5	NZ TP IC [CA] 16 165 2		
∫	∫	∫	∫	∫		
SSV35□□ 300	300	205	THOS 35 225 36 5	NZ TP IC [CA] 16 245 2		

SSV Single Valve Introduction

FLANGE PROCESS AREA

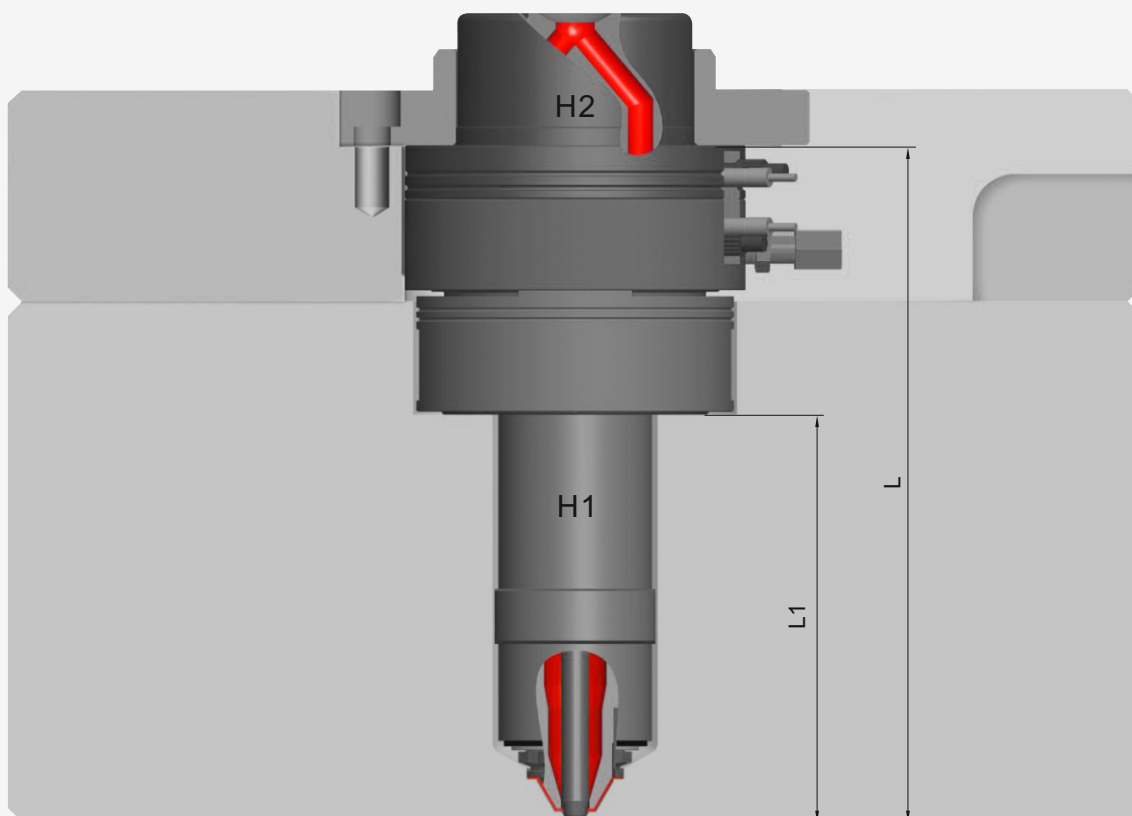


GATE PROCESS AREA



SSV Single Valve Introduction

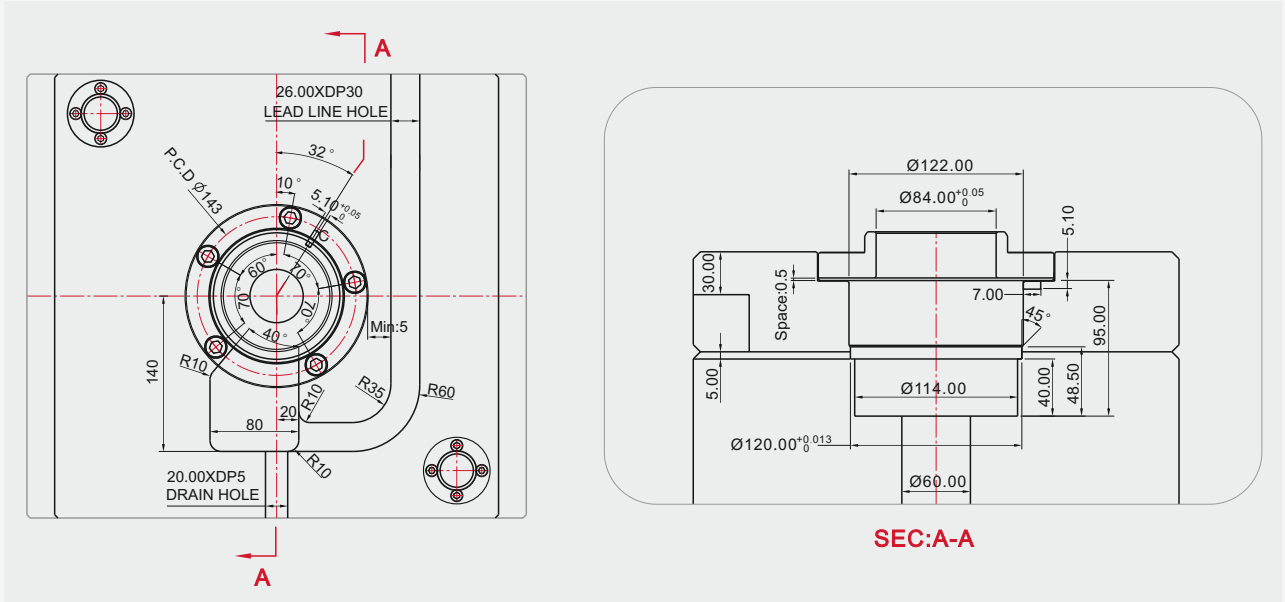
SSV 45 VALVE



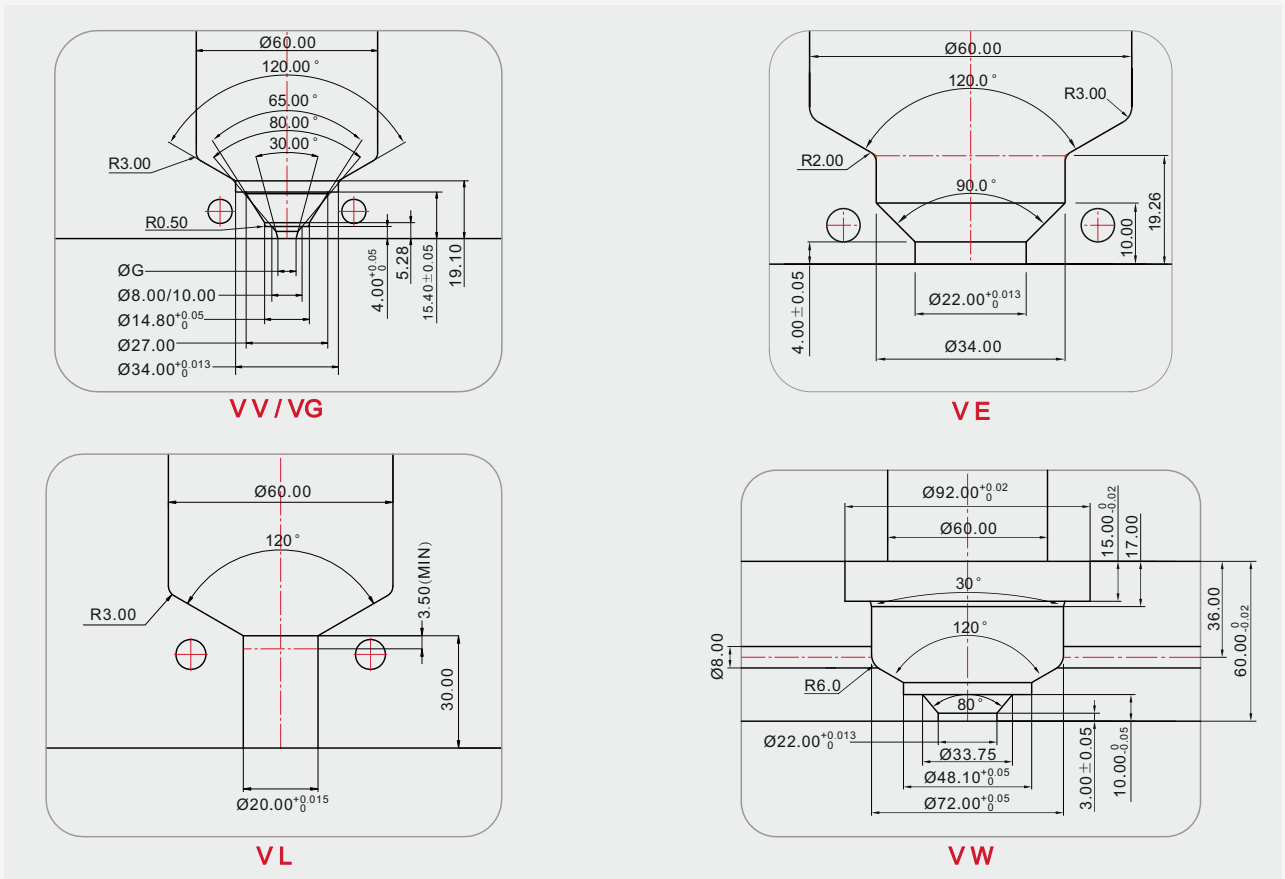
MODEL	L	L1	HEATER (H1)	T/C (H1)	HEATER (H2)	T/C (H2)
SSV45□□ 150	150	55	THOS 45 078 36 5	NZ TP IC [CA] 16 105 2		
SSV45□□ 160	160	65	THOS 45 088 36 5			
SSV45□□ 170	170	75	THOS 45 098 36 5	NZ TP IC [CA] 16 125 2		
SSV45□□ 180	180	85	THOS 45 108 36 5			
SSV45□□ 190	190	95	THOS 45 118 36 5	NZ TP IC [CA] 16 145 2		
SSV45□□ 200	200	105	THOS 45 128 36 5		THOS 65 045 36 5	NZ TP IC [CA] 16 085 2
SSV45□□ 210	210	115	THOS 45 138 36 5	NZ TP IC [CA] 16 165 2		
SSV45□□ 220	220	125	THOS 45 148 36 5			
SSV45□□ 230	230	135	THOS 45 158 36 5	NZ TP IC [CA] 16 185 2		
∫	∫	∫	∫	∫		
SSV45□□ 310	310	215	THOS 45 238 36 5	NZ TP IC [CA] 16 265 2		

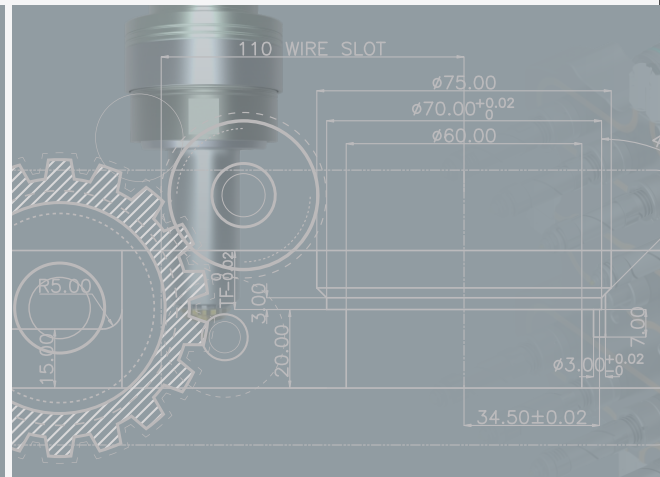
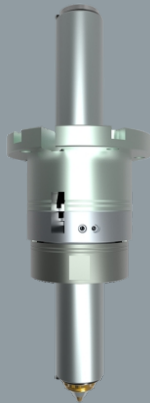
SSV Single Valve Introduction

FLANGE PROCESS AREA



GATE PROCESS AREA

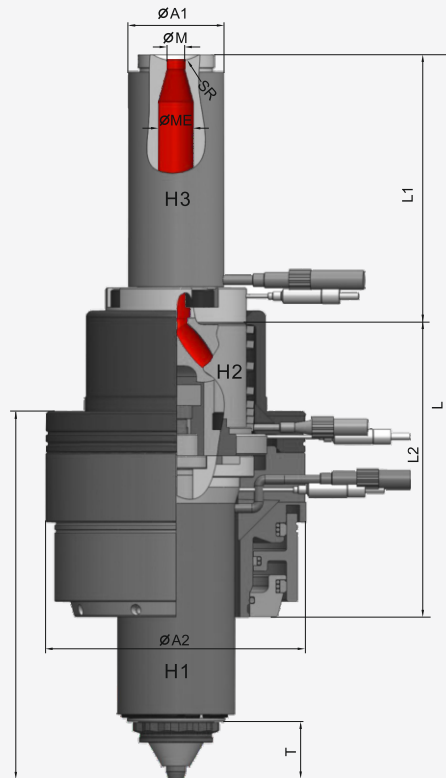




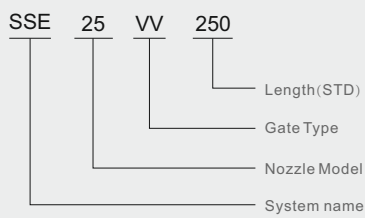
SSE SERIES

SINGLE VALVE NOZZLES

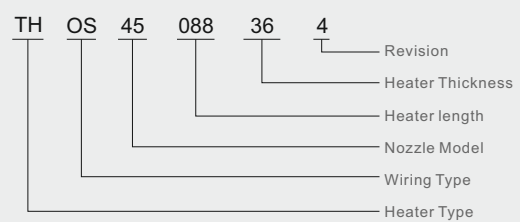
SSE Single Valve Introduction



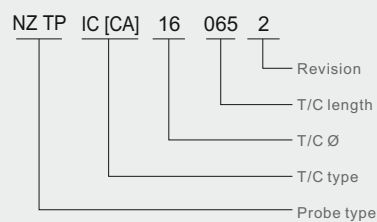
■ How to read Nozzle Model



■ How to read Heater Code



■ How to read Thermocouple Code



SSE Single Valve Introduction

Division	SSE18	SSE25	SSE35	SSE45
Model Number	SSE 18-□□-□□□□	SSE 25-□□-□□□□	SSE 35-□□-□□□□	SSE 45-□□-□□□□
Injection Volume	UP to 100gr	UP to 240gr	UP to 800gr	Over 1200gr
SR	Ask us	Ask us	Ask us	Ask us
∅A1	34.2	34.2	44.2	44.2
∅A2	105	105	120	120
L	Can be adjusted by request			
L1				
L2	116	116	135	135
T	11	16	21	26
∅M	6	6	8	8
∅M1	5.5	5.5	9	9
∅ME	10	10	16	16
Tube Heater(H1)	TH OS 18□□6□36 4	TH OS 25□□4□36 4	TH OS 35□□5□36 4	TH OS 45□□8□36 4
Thermocouple	NZ TP□□16□□52	NZ TP□□16□□52	NZ TP□□16□□52	NZ TP□□16□□52
Tube Heater(H2)	THOS 45 035 36 4	THOS 45 035 36 4	THOS 65 045 36 4	THOS 65 045 36 4
Thermocouple	NZ TP IC [CA] 16 085 2	NZ TP IC [CA] 16 085 2	NZ TP IC [CA] 16 085 2	NZ TP IC [CA] 16 085 2
Tube Heater(H3)	TH OS 25□□4□36 4		TH OS 35□□5□36 4	
Thermocouple	NZ TP□□16□□52		NZ TP□□16□□52	

SSE Single Valve Introduction

GATING TYPE

